

SERVICE MANUAL
VP/GD930



NILFISK

A. Safety issues 4

B. Technical data 5

C. Construction 6

D. Service / repair 7

E. Spare parts 11

F. Electrical diagrams 13

In this manual you will find the essentials you need to know when repairing dry vacuum cleaners of the VP930 series.

When carrying out repairs, make sure you have a suitable workbench or the like with the necessary power supply available.

If you determine an error in operation, be sure to refer the customer to the user manual.

A fault in the equipment can have a number of causes.

Use the illustrated spare parts lists for your repairs. These show you the location of the individual parts and the sequence in which they are assembled.

Read the technical information sheets. These will tell you about any technical modifications made after publication of this repair manual.

Technical information sheets are a supplement to the spare parts list until a follow-on publication.

Repair manuals and technical information sheets should be available at the site where repairs are carried out.

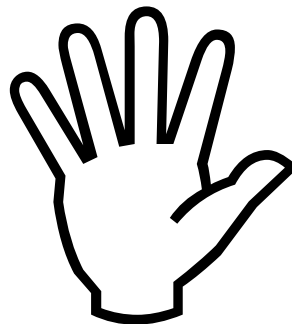
It is not permitted to give the repair manuals to third parties.

Use original Nilfisk spare parts only!

Symbols used to mark instructions



Safety instructions marked with this symbol in this manual must be observed to prevent danger to persons.



This symbol is used to mark safety instructions that must be observed to prevent damage to the equipment and degradation of performance.



This symbol indicates tips and instructions to simplify work and to ensure safe operation.

For your own safety.



Repairs should only be made by someone who has received proper instructions for the job or who is a qualified electrician

WARNING:
The upper section of the machine contains live components. Contact with live components leads to serious or even fatal injuries. Always disconnect the mains plug before disassembly.

Observe national safety directives and regulations for the electrical engineering trade, in particular:

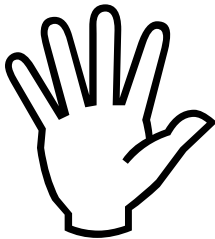
IEC 60335-2-69
EN 60335-2-69

DIN VDE 105 part 1:
operation of electrical power installations.

DIN VDE 0701/0702:
repair, modification and testing of electrical installations.

Before starting the equipment, be sure to read the accompanying user manual, and keep it close as reference.

The equipment should only be used by persons who have been instructed in its use and are authorized to do so.



ESD (electrostatic discharge)

Observe the following ESD precautions before any repair of or near electronic parts:





- Touch the protective conductor to discharge your own body.
- Possibly wear an anti-static wrist strap.
- Use a conducting floor or tabletop.
- Never touch a circuit board or electronic components - always hold them by the plastic or insulation.
- Transport electronic parts in conductive packaging (e.g. special ESD packages).

Technical data

B

VP/GD 930 - all variants

For JP Version

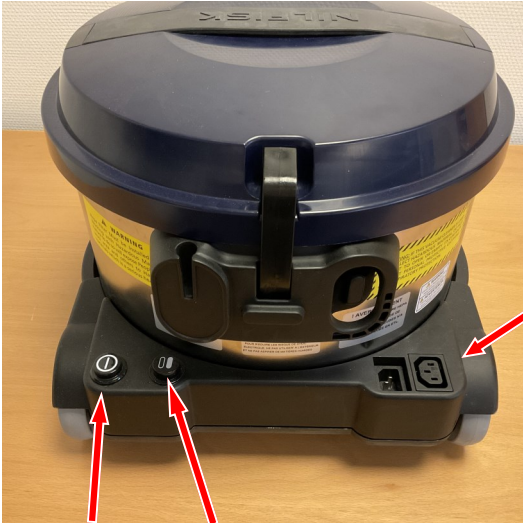
	Unit	VP930 ECO	VP930	GD930	GD930 S2
Rated power	<i>W</i>	400	760	1000	1000
Protection grade (<i>moist, dust</i>)		IP20	IP20	IP20	IP20
Protection class (<i>electrical</i>)		II 	II 	II 	II 
Airflow	<i>l/s</i>	26	35	35	35
Suction power (end of tube)	<i>W</i>	120	270	270	270
Working sound level (2m)	<i>dB(A)</i>	48	50	53	53
Sound Pressure Level (IEC 60335-2-69)	<i>dB(A)</i>	53	55	58	58
Sound Power Level (IEC 60335-2-69)	<i>dB(A)</i>	66	68	71	71
Vibration (ISO 5349 ah)	<i>m/s²</i>	≤ 2,5	≤ 2,5	≤ 2,5	≤ 2,5
Filter stages		4	4	3	3
Main filter type*	<i>class</i>	HEPA 13 /	HEPA 13 /	HEPA 13 /	Standard filter
HEPA filter surface area	<i>cm²</i>	12000	12000	12000	12000 (HEPA)
Dust bag capacity	<i>litres</i>	15	15	15	15
Weight	<i>kg</i>	7	7	8	8
Dimensions (LxWxH)	<i>mm</i>	450x390x330	450x390x330	450x390x330	450x390x330

Details can be subject to errors and change without prior notice.

Construction



Unless otherwise stated use a screwdriver with a TX20-bit for assembly and disassembly.

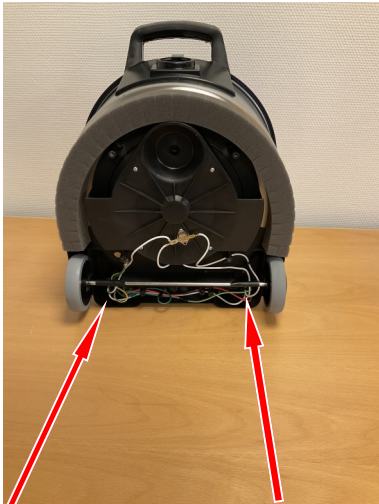


Power sockets

On-Off button Dual speed button



Carrying handle



Power sockets

On/off switches



Latches for opening top



Hepa filter in top

1. Replace PCBA s

8

2. Replace Motor

9

3. Replace Switches & Power Socket

10

4. Spare Parts

11

5. Wiring Diagrams

13

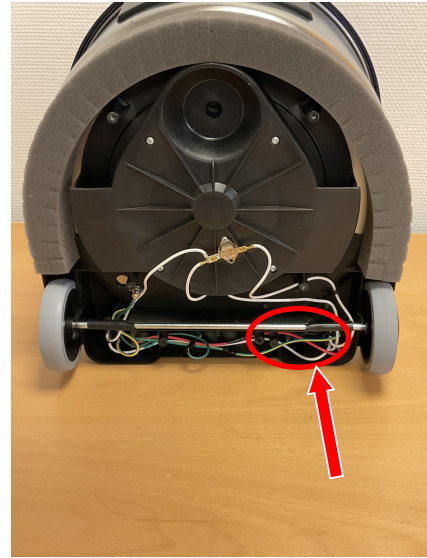


WARNING: The lower section of the machine contains live components. Contact with live components leads to serious or even fatal injuries. Always disconnect the mains plug before disassembly.

1



2

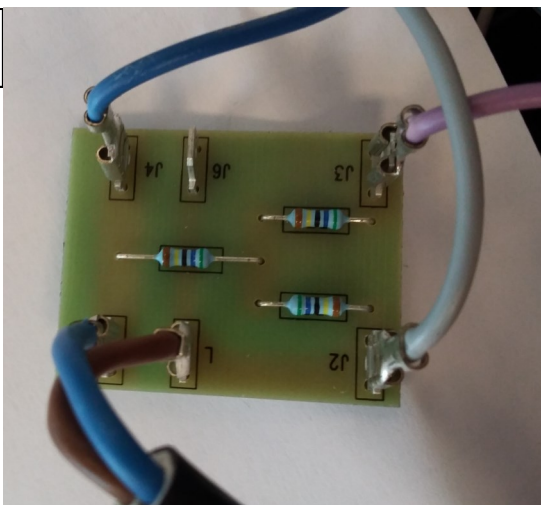


Unscrew the bottom cover (fig.1).

Paying attention to which wire that go to which connector on the PCBA (antistatic and/or speed) disconnect the PCBA (antistatic and/or speed) (fig.2 - 4).

Replace the PCBA(s) and reassemble the machine backwards.

3



4





WARNING: The lower section of the machine contains live components. Contact with live components leads to serious or even fatal injuries. Always disconnect the mains plug before disassembly.

Unscrew the bottom cover as shown in Section D.1.

Unscrew the motor cover (fig.1).

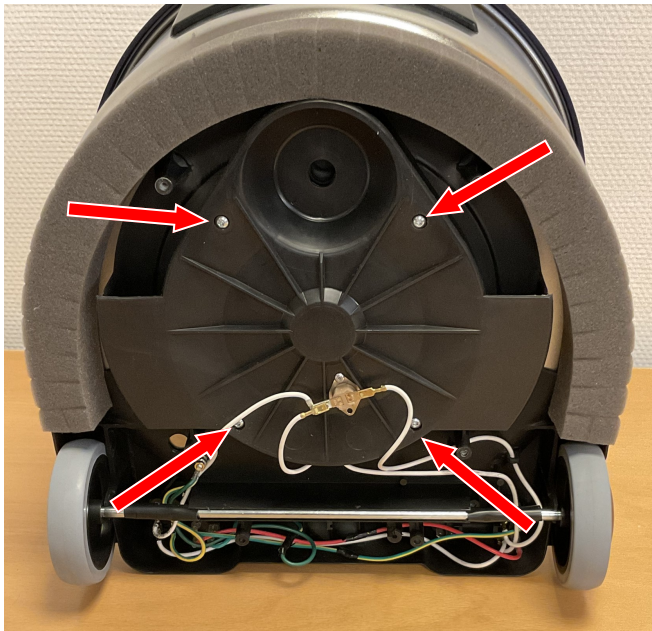
Disconnect the motor wires (fig.2).

Pull out the motor (fig. 3)

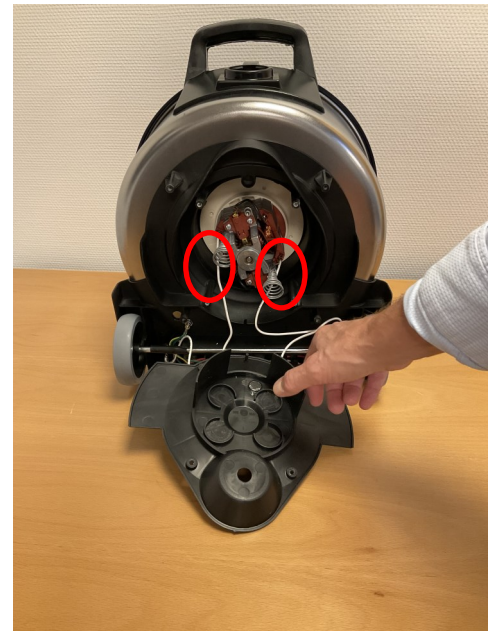
Motor gasket (fig. 4)

Replace the motor and reassemble the machine backwards.

1



2



3



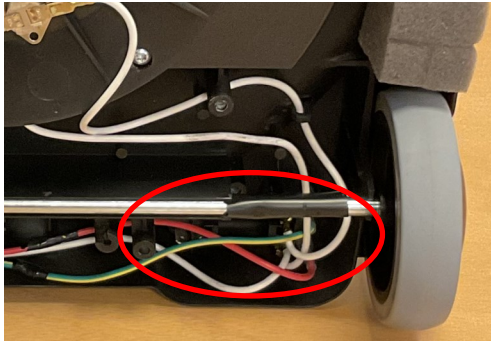
4





WARNING: The lower section of the machine contains live components. Contact with live components leads to serious or even fatal injuries. Always disconnect the mains plug before disassembly.

1



Unscrew the bottom cover as shown in Section D.1.

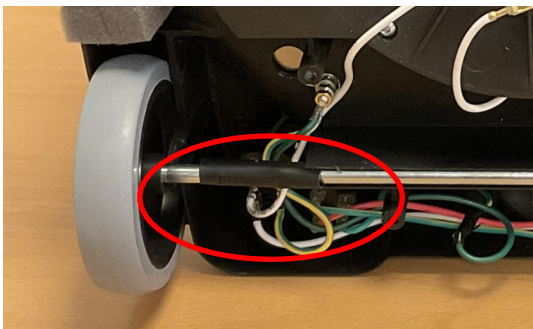
Disconnect the wires for the appropriate switch and the replace the switch (fig.1).

Reassemble the machine backwards.

Power socket

D.3.1

1

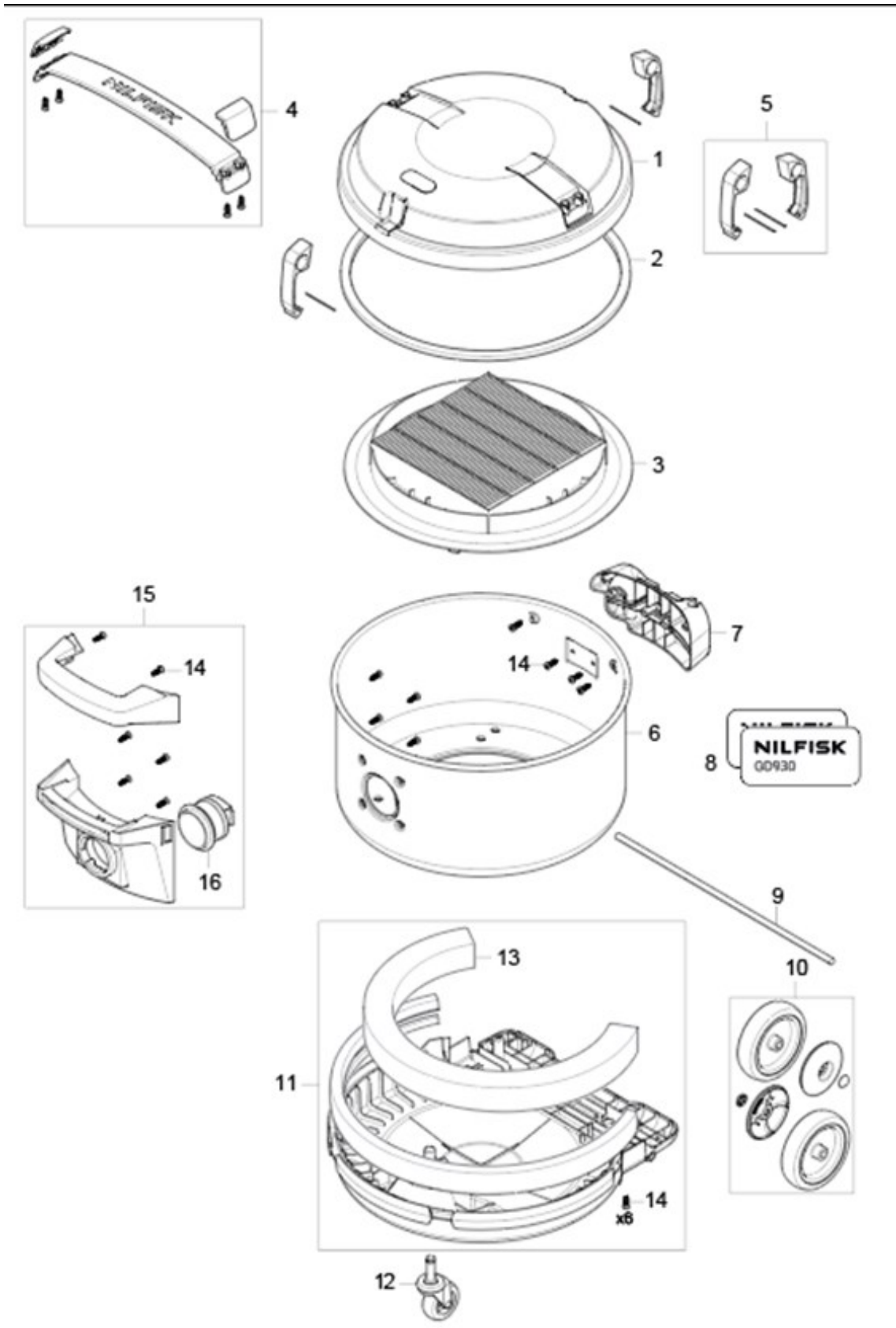


Unscrew the bottom cover as shown in Section D.1.

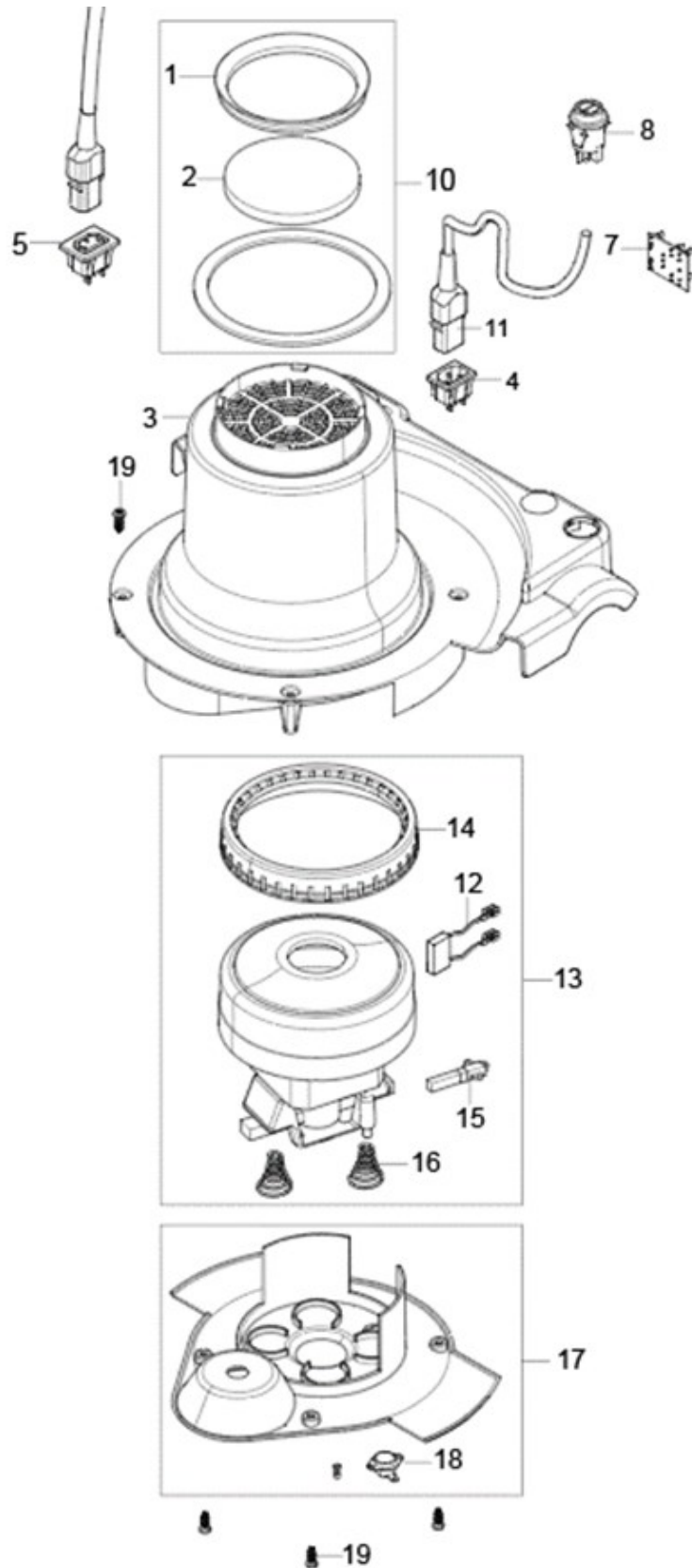
Disconnect the wires for the power socket switch and the replace it (fig.1).

Reassemble the machine backwards.

Top and container



Motor, filter and electrics

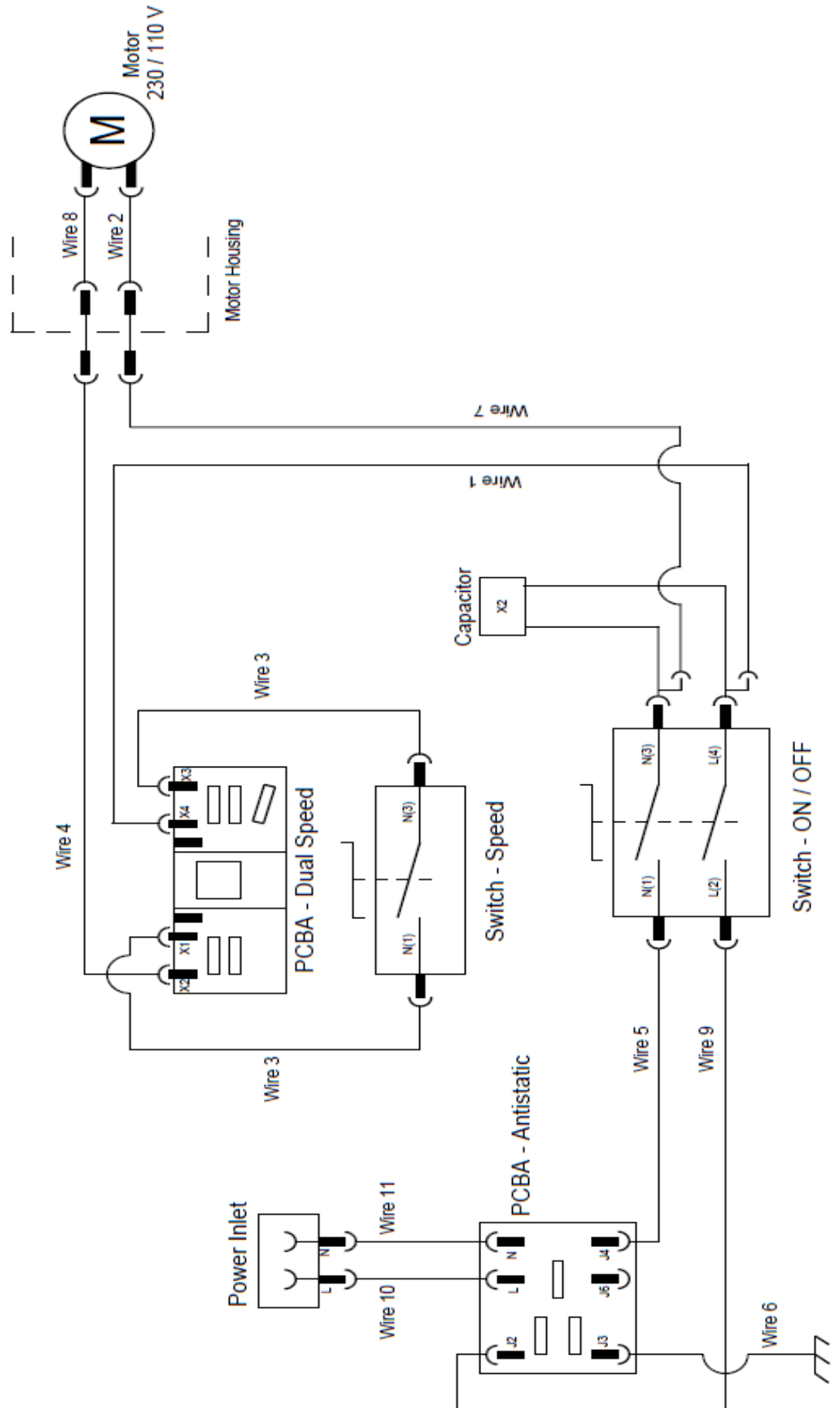


Electrical diagrammes

F

Diagram no. 107420619 for following models: 107420633, 107420771, 107420659

Wire #:	Nilfisk P/N:	Color:
1	107420617	White
2	107415481	Black
3	107415482	Blue
4	107415483	White
5	107415484	Blue
6	107415485	Purple
7	107420618	Black
8	107415487	White
9	107415488	Grey
10	107420640	White
11	107420641	Black

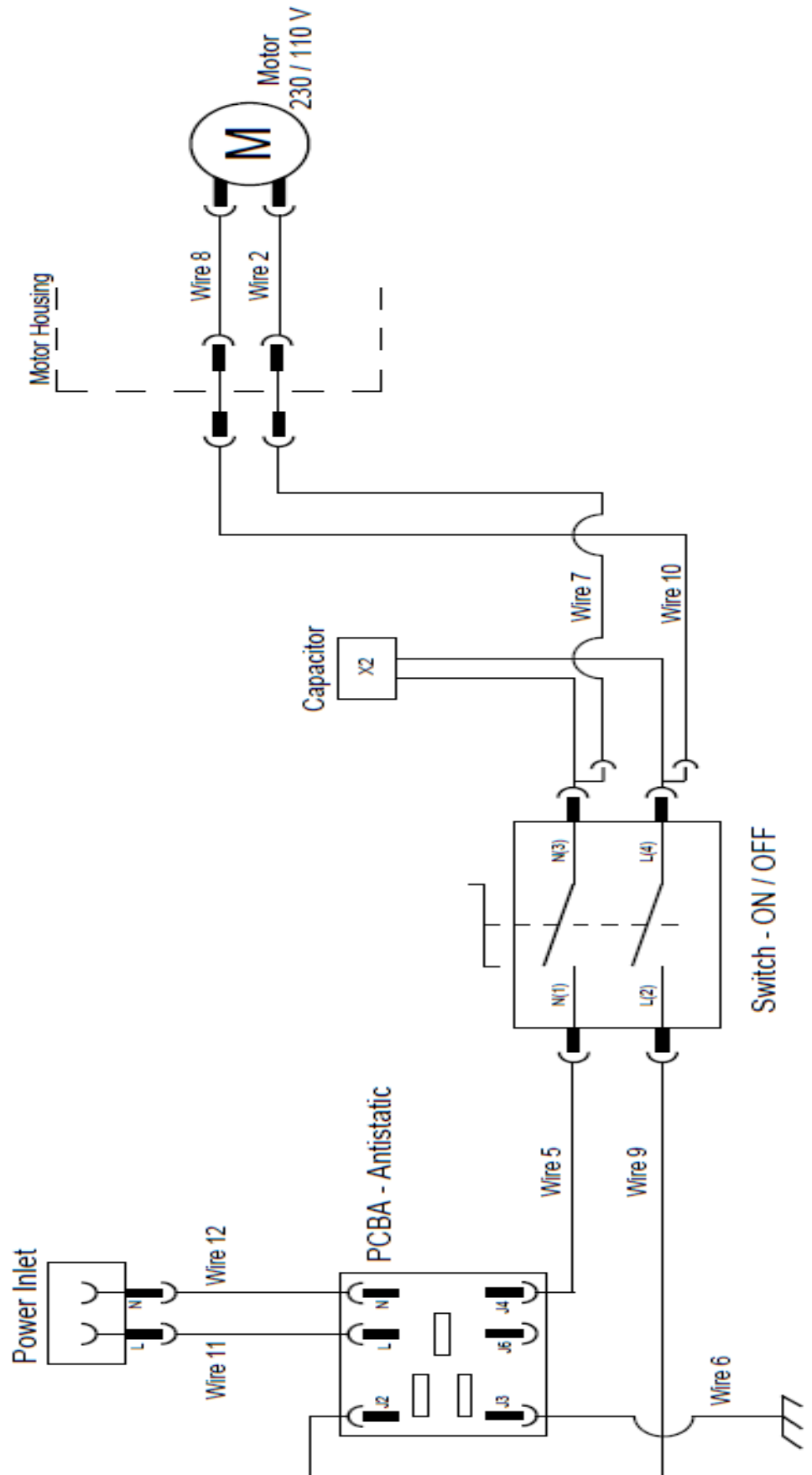


Electrical diagrammes

F

Diagram no. 107420780 for following models: 107420622, 107420627, 107420628, 107420629, 107420634.

Wire overview		
Wire #.	Nilfisk P/N:	Color:
2	107415481	Black
5	107415484	Blue
6	107415485	Purple
7	107420618	Black
8	107415487	White
9	107415488	Grey
10	107420646	White
11	107420640	White
12	107420641	Black



Electrical diagrammes

F

Diagram no. 107420836 for following models: 107420772, 107420779, 107420773, 107420774

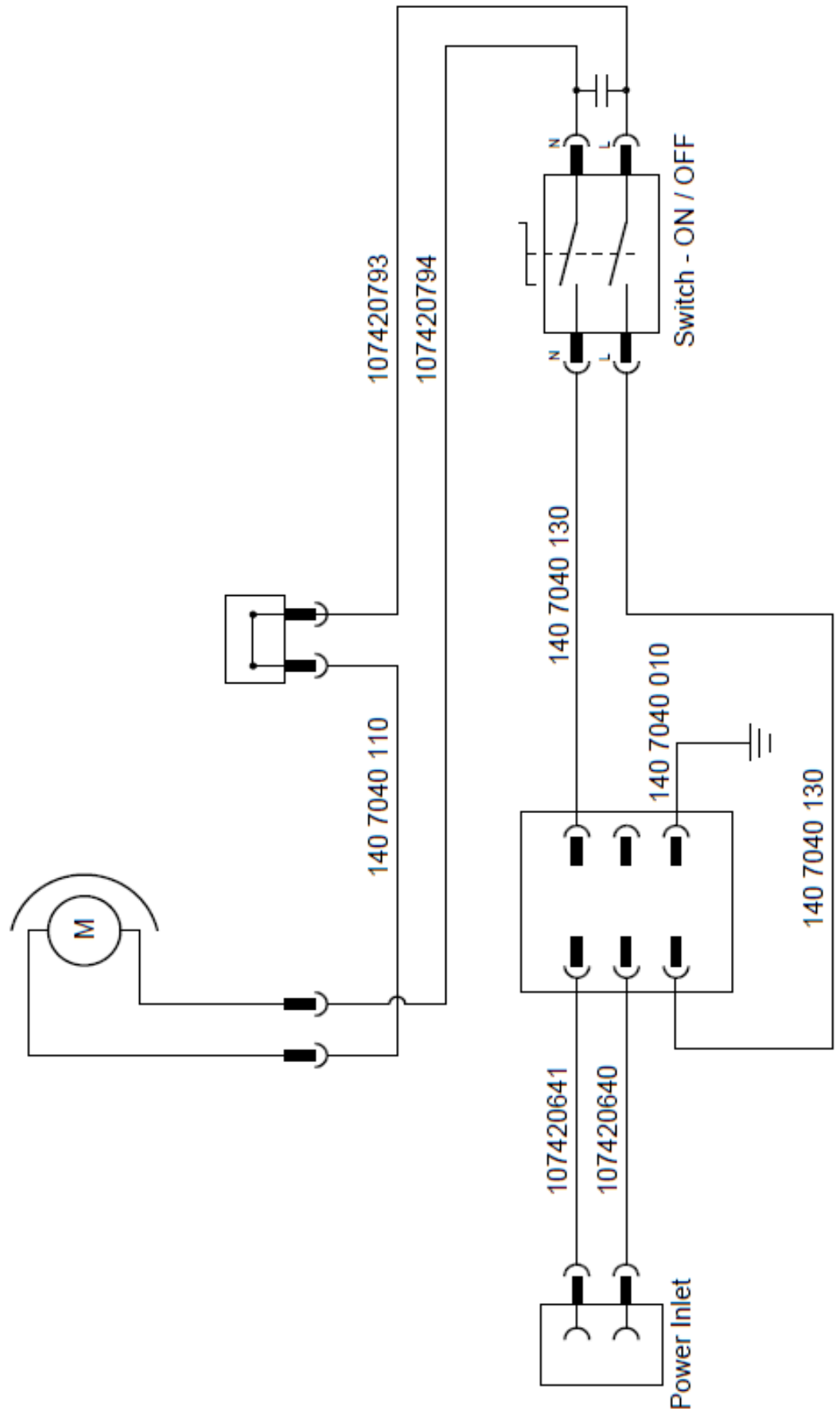


Diagram no. 107420837 for following models: 107420770, 107420777, 107420778

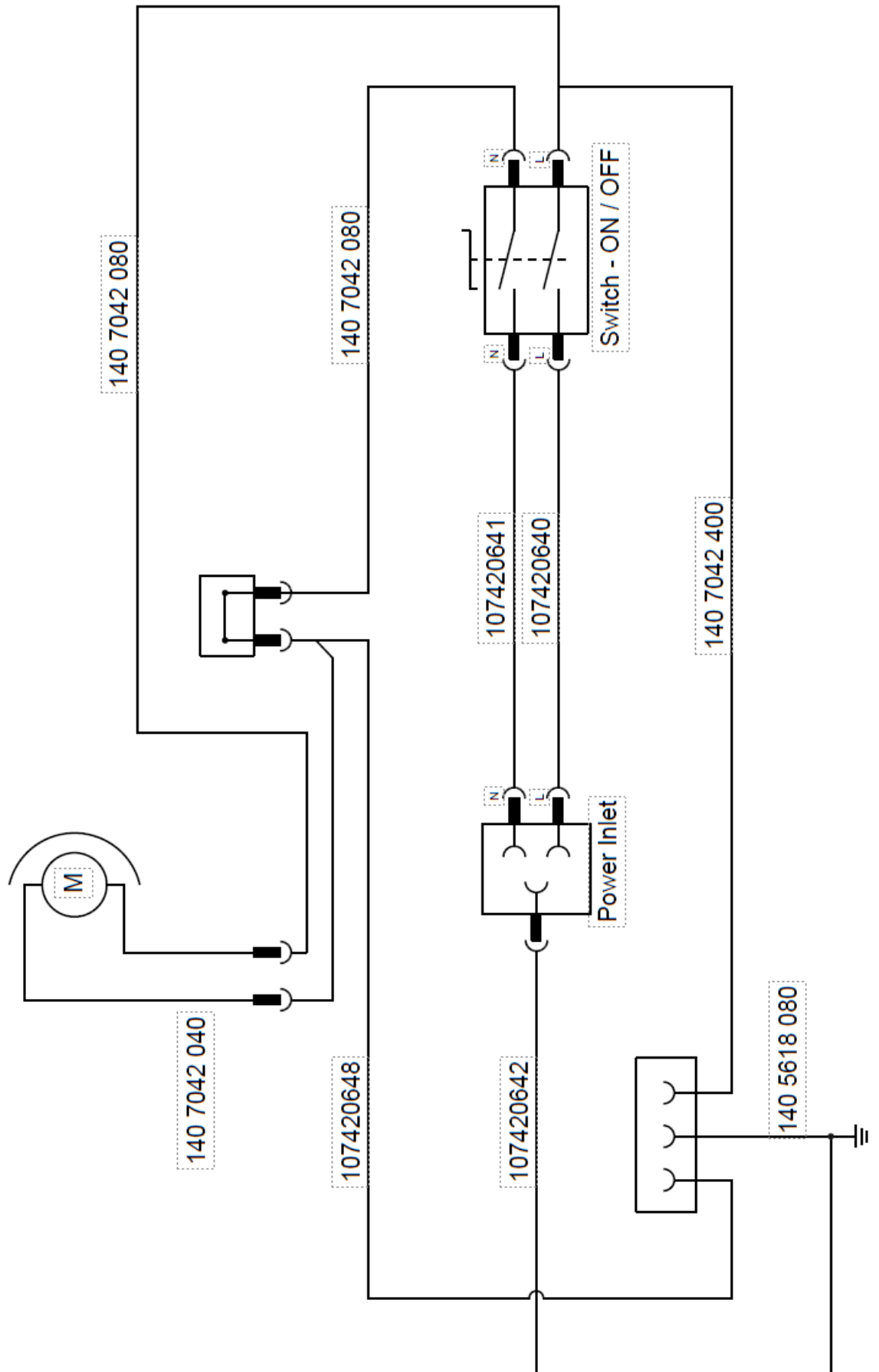


Diagram no. 107420838 for following models: 107420776

